

Grizzly *Industrial, Inc.*®

MODEL G1028Z/G1029Z DUST COLLECTOR OWNER'S MANUAL



COPYRIGHT © JANUARY, 2008 BY GRIZZLY INDUSTRIAL, INC.
**WARNING: NO PORTION OF THIS MANUAL MAY BE REPRODUCED IN ANY SHAPE
OR FORM WITHOUT THE WRITTEN APPROVAL OF GRIZZLY INDUSTRIAL, INC.**

#JM10379 PRINTED IN TAIWAN



WARNING!

This manual provides critical safety instructions on the proper setup, operation, maintenance and service of this machine/equipment.

Failure to read, understand and follow the instructions given in this manual may result in serious personal injury, including amputation, electrocution or death.

The owner of this machine/equipment is solely responsible for its safe use. This responsibility includes but is not limited to proper installation in a safe environment, personnel training and usage authorization, proper inspection and maintenance, manual availability and comprehension, application of safety devices, blade/cutter integrity, and the usage of personal protective equipment.

The manufacturer will not be held liable for injury or property damage from negligence, improper training, machine modifications or misuse.



WARNING!

Some dust created by power sanding, sawing, grinding, drilling, and other construction activities contains chemicals known to the State of California to cause cancer, birth defects or other reproductive harm. Some examples of these chemicals are:

- **Lead from lead-based paints.**
- **Crystalline silica from bricks, cement and other masonry products.**
- **Arsenic and chromium from chemically-treated lumber.**

Your risk from these exposures varies, depending on how often you do this type of work. To reduce your exposure to these chemicals: Work in a well ventilated area, and work with approved safety equipment, such as those dust masks that are specially designed to filter out microscopic particles.

Table of Contents

- INTRODUCTION..... 2**
 - Foreword 2
 - Contact Info 2
 - G1028Z Machine Data Sheet 3
 - G1029Z Machine Data Sheet 5

- SECTION 1: SAFETY 7**
 - Safety Instructions for Machinery 7
 - Additional Safety Instructions for Dust Collectors 9

- SECTION 2: CIRCUIT REQUIREMENTS 10**
 - G1028Z 110/220V Operation 10
 - G1029Z 220V Operation 11

- SECTION 3: SET UP 12**
 - Set Up Safety 12
 - Items Needed for Set Up 12
 - Unpacking 12
 - Inventory..... 12
 - Clean Up 13
 - Site Considerations 13
 - Assembly..... 14
 - Test Run..... 16

- SECTION 4: DESIGNING THE SYSTEM..... 17**
 - General..... 17
 - Duct Material 17
 - System Design 19
 - Design Grounding 23

- SECTION 5: OPERATIONS 25**
 - Operation Safety 25
 - General..... 25

- SECTION 6: ACCESSORIES 26**

- SECTION 7: MAINTENANCE 28**
 - Schedule 28
 - Lubrication..... 28
 - Bag Cleaning..... 28

- SECTION 8: SERVICE 29**
 - Troubleshooting..... 29
 - G1028Z Wiring Diagram 31
 - G1029Z Wiring Diagram 32
 - G1028Z/G1029Z Parts Breakdown..... 33
 - G1028Z/G1029Z Parts List 34

- WARRANTY AND RETURNS 37**

INTRODUCTION

Foreword

We are proud to offer the Model G1028Z/G1029Z Dust Collector. This machine is part of a growing Grizzly family of fine woodworking machinery. When used according to the guidelines set forth in this manual, you can expect years of trouble-free, enjoyable operation and proof of Grizzly's commitment to customer satisfaction.

The specifications, drawings, and photographs illustrated in this manual represent the Model G1028Z/G1029Z when the manual was prepared. However, owing to Grizzly's policy of continuous improvement, changes may be made at any time with no obligation on the part of Grizzly.

For your convenience, we always keep current Grizzly manuals available on our website at **www.grizzly.com**. Any updates to your machine will be reflected in these manuals as soon as they are complete. Visit our site often to check for the latest updates to this manual!

Contact Info

If you have any comments regarding this manual, please write to us at the address below:

Grizzly Industrial, Inc.
c/o Technical Documentation Manager
P.O. Box 2069
Bellingham, WA 98227-2069
Email: manuals@grizzly.com

We stand behind our machines. If you have any service questions or parts requests, please call or write us at the location listed below.

Grizzly Industrial, Inc.
1203 Lycoming Mall Circle
Muncy, PA 17756
Phone: (570) 546-9663
Fax: (800) 438-5901
E-Mail: techsupport@grizzly.com
Web Site: <http://www.grizzly.com>





MACHINE DATA SHEET

Customer Service #: (570) 546-9663 • To Order Call: (800) 523-4777 • Fax #: (800) 438-5901

MODEL G1028Z 1 1/2 HP DUST COLLECTOR

Product Dimensions:

Machine Weight 85 lbs.
 Length/Width/Height..... 33 1/2" x 21 1/4" x 78"
 Foot Print (Length/Width)..... 33 1/2" x 21 1/4"

Shipping Dimensions:

Type Cardboard
 Content..... Machine
 Shipping Size (Length/Width/Height) 35" x 23" x 23"
 Shipping Weight..... 113 lbs.

Electrical:

Switch..... Push Button
 Switch Voltage 110/220V
 Cord Length 6 ft.
 Cord Gauge 14 gauge
 Recommended Breaker Size 20 amp
 Plug Included No

Motor:

Main

Type TEFC Capacitor Start Induction
 Horsepower 1 1/2 HP
 Phase/Voltage Single Phase / 110V/220V (Prewired 110V)
 Cycle/RPM 60Hz/3450RPM
 Amps 18A/9A
 Bearings Shielded and Lubricated for Life
 Number of Speeds 1
 Power Transfer..... Direct Drive

Main Specifications:

Operation

Air Suction Cap 1300 CFM
 Static Pressure at Rated CFM 9"
 Main Inlet Size..... 6"
 Manifold Included Yes
 Manifold Inlets 2
 Manifold Inlet Size..... 4"
 Machine Collection Cap 2
 Maximum Material Collection Cap 5.7 cu. ft.



Bag Information

No of Upper Bags 1
 Upper Bag Cap 5.7 cu. ft.
 Upper Bag Diameter 19"
 Upper Bag Length 35"
 No of Lower Bags 1
 Lower Bag Cap 5.7 cu. ft.
 Lower Bag Diameter 19½"
 Lower Bag Length 33"

Impeller Information

Impeller Type Radial Fin
 Impeller Size 11"
 Impeller Blade Thickness 3/32"

Construction

Upper Bag Material 2.5 Micron Fabric
 Lower Bag Material Polyethylene
 Base Construction Fabricated Sheet Metal with Casters
 Frame Construction Formed Steel
 Caster Construction Four Plastic
 Impeller Construction Balanced Steel, Riveted Fins
 Paint Powder Coated

Other

Height With Bags Inflated 78"

Other Specifications:

ISO Factory ISO 9001
 Country of Origin Taiwan
 Warranty 1 Year
 Serial Number Location Machine Label Above Magnetic ON/OFF Switch
 Assembly Time 45 Minutes

Features:

Large Capacity
 Powder Coated Paint
 Includes Steel Base With Casters





MACHINE DATA SHEET

Customer Service #: (570) 546-9663 • To Order Call: (800) 523-4777 • Fax #: (800) 438-5901

MODEL G1029Z 2 HP DUST COLLECTOR

Product Dimensions:

Machine Weight 95 lbs.
 Length/Width/Height..... 33½" x 21¼" x 78"
 Foot Print (Length/Width)..... 33½" x 21¼"

Shipping Dimensions:

Type Cardboard
 Content..... Machine
 Shipping Size (Length/Width/Height) 36" x 23" x 22"
 Shipping Weight..... 123 lbs.

Electrical:

Switch..... Push Button
 Switch Voltage 220V
 Cord Length 6 ft.
 Cord Gauge 14 gauge
 Recommended Breaker Size 20 amp
 Plug Included No

Motor:

Main

Type TEFC Capacitor Start Induction
 Horsepower 2 HP
 Phase/Voltage Single Phase/220V
 Cycle/RPM 60Hz/3450RPM
 Amps 12A
 Bearings Shielded and Lubricated for Life
 Number of Speeds 1
 Power Transfer..... Direct Drive

Main Specifications:

Operation

Air Suction Cap 1550 CFM
 Static Pressure at Rated CFM 11"
 Main Inlet Size..... 6"
 Manifold Included Yes
 Manifold Inlets 2
 Manifold Inlet Size..... 4"
 Machine Collection Cap 2
 Maximum Material Collection Cap 5.7 cu. ft.



Bag Information

No of Upper Bags	1
Upper Bag Cap	5.7 cu. ft.
Upper Bag Diameter	19"
Upper Bag Length	35"
No of Lower Bags	1
Lower Bag Cap	5.7 cu. ft.
Lower Bag Diameter	19½"
Lower Bag Length	33"

Impeller Information

Impeller Type	Radial Fin
Impeller Size	12"
Impeller Blade Thickness	3/32"

Construction

Upper Bag Material	2.5 Micron Fabric
Lower Bag Material	Polyethylene
Base Construction	Fabricated Sheet Metal with Casters
Frame Construction	Formed Steel
Caster Construction	Four Plastic
Impeller Construction	Balanced Steel, Riveted Fins
Paint	Powder Coated

Other

Height With Bags Inflated	78"
---------------------------------	-----

Other Specifications:

ISO Factory	ISO 9001
Country of Origin	Taiwan
Warranty	1 Year
Serial Number Location	Machine Label Above Magnetic ON/OFF Switch
Assembly Time	45 Minutes

Features:

- Awards: Wood Magazine Top Value 1997, Popular Woodworking Editor's Choice, Popular Woodworking Readers' Choice
- Large Capacity
- Powder Coated Paint
- Includes Steel Base With Casters



SECTION 1: SAFETY

WARNING

For Your Own Safety, Read Instruction Manual Before Operating this Machine

The purpose of safety symbols is to attract your attention to possible hazardous conditions. This manual uses a series of symbols and signal words intended to convey the level of importance of the safety messages. The progression of symbols is described below. Remember that safety messages by themselves do not eliminate danger and are not a substitute for proper accident prevention measures.



Indicates an imminently hazardous situation which, if not avoided, **WILL** result in death or serious injury.



Indicates a potentially hazardous situation which, if not avoided, **COULD** result in death or serious injury.



Indicates a potentially hazardous situation which, if not avoided, **MAY** result in minor or moderate injury. It may also be used to alert against unsafe practices.

NOTICE

This symbol is used to alert the user to useful information about proper operation of the machine.

WARNING

Safety Instructions for Machinery

- 1. READ THE ENTIRE MANUAL BEFORE STARTING MACHINERY.** Machinery presents serious injury hazards to untrained users.
- 2. ALWAYS USE ANSI APPROVED SAFETY GLASSES WHEN OPERATING MACHINERY.** Everyday eyeglasses only have impact resistant lenses—they are NOT safety glasses.
- 3. ALWAYS WEAR A NIOSH APPROVED RESPIRATOR WHEN OPERATING MACHINERY THAT PRODUCES DUST.** Most types of dust (wood, metal, etc.) can cause severe respiratory illnesses.
- 4. ALWAYS USE HEARING PROTECTION WHEN OPERATING MACHINERY.** Machinery noise can cause permanent hearing loss.
- 5. WEAR PROPER APPAREL. DO NOT** wear loose clothing, gloves, neckties, rings, or jewelry that can catch in moving parts. Wear protective hair covering to contain long hair and wear non-slip footwear.
- 6. NEVER OPERATE MACHINERY WHEN TIRED OR UNDER THE INFLUENCE OF DRUGS OR ALCOHOL.** Be mentally alert at all times when running machinery.



WARNING

Safety Instructions for Machinery

7. **ONLY ALLOW TRAINED AND PROPERLY SUPERVISED PERSONNEL TO OPERATE MACHINERY.** Make sure operation instructions are safe and clearly understood.
8. **KEEP CHILDREN AND VISITORS AWAY.** Keep all children and visitors a safe distance from the work area.
9. **MAKE WORKSHOP CHILDPROOF.** Use padlocks, master switches, and remove start switch keys.
10. **NEVER LEAVE WHEN MACHINE IS RUNNING.** Turn power **OFF** and allow all moving parts to come to a complete stop before leaving machine unattended.
11. **DO NOT USE IN DANGEROUS ENVIRONMENTS.** DO NOT use machinery in damp, wet locations, or where any flammable or noxious fumes may exist.
12. **KEEP WORK AREA CLEAN AND WELL LIGHTED.** Clutter and dark shadows may cause accidents.
13. **USE A GROUNDED EXTENSION CORD RATED FOR THE MACHINE AMPERAGE.** Grounded cords minimize shock hazards. Undersized cords create excessive heat. Always replace damaged extension cords.
14. **ALWAYS DISCONNECT FROM POWER SOURCE BEFORE SERVICING MACHINERY.** Make sure switch is in OFF position before reconnecting.
15. **MAINTAIN MACHINERY WITH CARE.** Keep blades sharp and clean for best and safest performance. Follow instructions for lubricating and changing accessories.
16. **MAKE SURE GUARDS ARE IN PLACE AND WORK CORRECTLY BEFORE USING MACHINERY.**
17. **REMOVE ADJUSTING KEYS AND WRENCHES.** Make a habit of checking for keys and adjusting wrenches before turning machinery **ON**.
18. **CHECK FOR DAMAGED PARTS BEFORE USING MACHINERY.** Check for binding or misaligned parts, broken parts, loose bolts, and any other conditions that may impair machine operation. Repair or replace damaged parts before operation.
19. **USE RECOMMENDED ACCESSORIES.** Refer to the instruction manual for recommended accessories. Improper accessories increase risk of injury.
20. **DO NOT FORCE MACHINERY.** Work at the speed for which the machine or accessory was designed.
21. **SECURE WORKPIECE.** Use clamps or a vise to hold the workpiece when practical. A secured workpiece protects your hands and frees both hands to operate the machine.
22. **DO NOT OVERREACH.** Maintain stability and balance at all times.
23. **MANY MACHINES CAN EJECT WORKPIECES TOWARD OPERATOR.** Know and avoid conditions that cause the workpiece to "kickback."
24. **ALWAYS LOCK MOBILE BASES (IF USED) BEFORE OPERATING MACHINERY.**
25. **CERTAIN DUST MAY BE HAZARDOUS** to the respiratory systems of people and animals, especially fine dust. Be aware of the type of dust you are exposed to and always wear a respirator designed to filter that type of dust.



WARNING

Additional Safety for Dust Collectors

- 1. MACHINE USE.** Do not use this dust collector to pick up liquids and metal scrap including, but not limited to, nails and filings. Also, do not pick up material which cannot safely pass through the impeller such as solid wood scraps.
- 2. KEEPING FINGERS SAFE.** Do not place your hands or tools near the open inlet during operation for any reason including, but not limited to, unclogging material and testing suction. The impeller could cause serious damage to body parts if touched while spinning.
- 3. SAFE SERVICING.** Disconnect power and allow impeller to completely stop before servicing or working on the dust collector ducting system.
- 4. SUSPENDED DUST PARTICLES AND IGNITION SOURCES.** Do not operate the dust collector in areas where explosion risks would be high if dust were dispersed into the area. Areas of high risk include, but are not limited to, areas near pilot lights or open flames.
- 5. EMPTYING DUST.** When emptying dust from the collection bags or drum, wear a respirator and safety glasses. Empty dust into an approved container and dispose of properly.
- 6. AVOIDING FIRES.** Do not allow steel to strike against impeller—this may produce a spark. Sparks can smolder in wood dust for a long time before fire or flame is detected. If metal contacts metal during operation, immediately turn off the dust collector, unplug the power cord from the outlet or flip the disconnect switch and wait for all moving parts to stop. Remove collection bags and empty the dust into an approved air tight metal container in case of spark. Remedy the metal to metal contact problem before resuming operation.
- 7. OPERATIONAL QUESTIONS.** If at any time you are experiencing difficulties performing the intended operation, stop using the machine! Then contact our Tech Support or ask a qualified expert how the operation should be performed.
- 8. DUST HAZARD.** Be aware that certain woods may cause an allergic reaction in people and animals, especially when exposed to fine dust. Make sure you know what type of wood dust you will be exposed to in case there is a possibility of an allergic reaction. Always wear an approved respirator during and for a short time after machine operation!
- 9. CLEANING AIR.** Do not confuse this dust collector with an air cleaner. This dust collector is only designed to collect dust from a machine, not clean dust suspended in the air.

WARNING

Like all machines there is danger associated with this machine. Accidents are frequently caused by lack of familiarity or failure to pay attention. Use this machine with respect and caution to lessen the possibility of operator injury. If normal safety precautions are overlooked or ignored, serious personal injury may occur.

CAUTION

No list of safety guidelines can be complete. Every shop environment is different. Always consider safety first, as it applies to your individual working conditions. Use this and other machinery with caution and respect. Failure to do so could result in serious personal injury, damage to equipment, or poor work results.

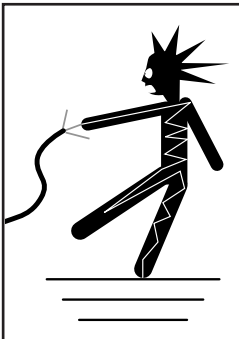


SECTION 2: CIRCUIT REQUIREMENTS

G1028Z 110/220V Operation

!WARNING

Serious personal injury could occur if you connect the machine to power before completing the setup process. **DO NOT** connect the machine to the power until instructed later in this manual.



!WARNING

Electrocution or fire could result if machine is not grounded and installed in compliance with electrical codes. Compliance **MUST** be verified by a qualified electrician!

NOTICE

The Model G1028Z is prewired for 110V. If you plan to operate the machine at 220V, the motor must be rewired (see Page 27).

Full Load Amperage Draw

This machine draws the following amps under maximum load:

Amp Draw at 110V (prewired)..... 18 Amps
Amp Draw at 220V 9 Amps

Power Supply Circuit Requirements

You **MUST** connect your machine to a grounded circuit that is rated for the amperage given below. Never replace a circuit breaker on an existing circuit with one of higher amperage without consulting a qualified electrician to ensure compliance with wiring codes.

If you are unsure about the wiring codes in your area or you plan to connect your machine to a shared circuit, consult a qualified electrician.

Minimum Circuit Size (110V)..... 20 Amps
Minimum Circuit Size (220V)..... 15 Amps

Power Connection Device

The type of plug required to connect your machine to power depends on the type of service you currently have or plan to install. We recommend using one of the plugs shown in **Figure 1**.

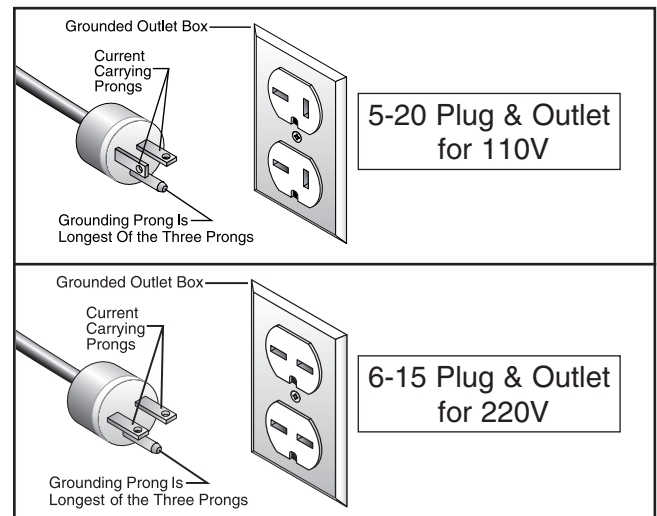


Figure 1. Recommended plug types.

Extension Cords

Using extension cords may reduce the life of the motor. Instead, place the machine near a power source. If you must use an extension cord:

- For 110V, use at least a 12 gauge cord that does not exceed 50 feet in length.
- For 220V, use at least a 14 gauge cord that does not exceed 50 feet in length.
- The extension cord must have a ground wire and plug pin.



G1029Z 220V Operation

⚠️ WARNING

Serious personal injury could occur if you connect the machine to power before completing the setup process. **DO NOT** connect the machine to the power until instructed later in this manual.



⚠️ WARNING

Electrocution or fire could result if machine is not grounded and installed in compliance with electrical codes. Compliance **MUST** be verified by a qualified electrician!

Full Load Amperage Draw

This machine draws the following amps under maximum load:

Amp Draw..... 12 Amps

Power Supply Circuit Requirements

You **MUST** connect your machine to a grounded circuit that is rated for the amperage given below. Never replace a circuit breaker on an existing circuit with one of higher amperage without consulting a qualified electrician to ensure compliance with wiring codes. **If you are unsure about the wiring codes in your area or you plan to connect your machine to a shared circuit, consult a qualified electrician.**

Minimum Circuit Size..... 15 Amps

Power Connection Device

The type of plug required to connect your machine to power depends on the type of service you currently have or plan to install. We recommend using the plug shown in **Figure 2**.

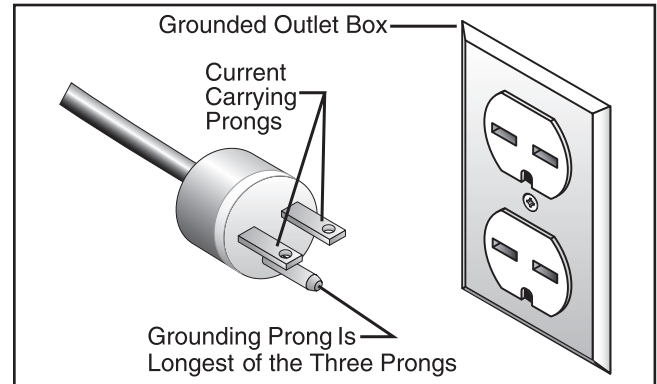


Figure 2. 6-15 plug and receptacle.

Extension Cords

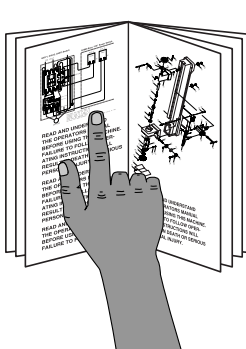
Using extension cords may reduce the life of the motor. Instead, place the machine near a power source. If you must use an extension cord:

- Use at least a 14 gauge cord that does not exceed 50 feet in length!
- The extension cord must also have a ground wire and plug pin.
- A qualified electrician **MUST** size cords over 50 feet long to prevent motor damage.



SECTION 3: SETUP


Setup Safety



⚠️ WARNING
 This machine presents serious injury hazards to untrained users. Read through this entire manual to become familiar with the controls and operations before starting the machine!



⚠️ WARNING
 Wear safety glasses during the entire setup process!



⚠️ WARNING
 This machine and its components are very heavy. Get lifting help or use power lifting equipment such as a forklift to move heavy items.

Items Needed for Setup

The following items are needed to complete the setup process, but are not included with your machine:

Description	Qty
• Safety Glasses (for each person)	1
• Open End Wrench 12mm.....	1
• Phillips Head Screwdriver	1

Unpacking

Your machine was carefully packaged for safe transportation. Remove the packaging materials from around your machine and inspect it. If you discover the machine is damaged, *please immediately call Customer Service at (570) 546-9663 for advice.*

Save the containers and all packing materials for possible inspection by the carrier or its agent. *Otherwise, filing a freight claim can be difficult.*

When you are completely satisfied with the condition of your shipment, inventory the contents.

Inventory

The following is a description of the main components shipped with your machine. Lay the components out to inventory them.

Note: *If you can't find an item on this list, check the mounting location on the machine or examine the packaging materials carefully. Occasionally we pre-install certain components for shipping purposes.*


Inventory:	Qty
A. Collector Body Assembly	1
B. Base	1
C. Upper Bag (Fabric).....	1
D. Lower Bag (Plastic)	1
E. Lower Support Brackets.....	2
F. Casters	4
G. Rubber Gasket	1
H. Upper Support Bracket.....	1
I. Outlet.....	1
J. Outlet Hose	1
K. Hose Clamps.....	2
L. Flange Bolts $\frac{5}{16}$ "-18 x $\frac{1}{2}$ "	36

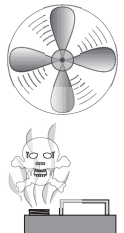
If any nonproprietary parts are missing (e.g. a nut or a washer), we will gladly replace them; or for the sake of expediency, replacements can be obtained at your local hardware store.



Clean Up

The unpainted surfaces are coated with a waxy oil to prevent corrosion during shipment. Remove this protective coating with a solvent cleaner or citrus-based degreaser such as Grizzly's G7895 Citrus Degreaser. To clean thoroughly, some parts must be removed. **For optimum performance from your machine, clean all moving parts or sliding contact surfaces.** Avoid chlorine-based solvents, such as acetone or brake parts cleaner that may damage painted surfaces. Always follow the manufacturer's instructions when using any type of cleaning product.

	! WARNING Gasoline and petroleum products have low flash points and can explode or cause fire if used to clean machinery. DO NOT use these products to clean the machinery.
--	--

	! CAUTION Many cleaning solvents are toxic if inhaled. Minimize your risk by only using these products in a well ventilated area.
---	---

G7895—Grizzly Citrus Degreaser

This natural, citrus-based degreaser is a great solution for removing export grease, and it's much safer to work around than nasty solvents.

Call 1-800-523-4777 To Order	
---	---

Figure 3. Grizzly citrus degreaser.

Site Considerations

Floor Load

Refer to the **Machine Data Sheet** for the weight and footprint specifications of your machine. Some residential floors may require additional reinforcement to support both the machine and operator.

Placement Location

Consider existing and anticipated needs, size of material to be processed through each machine, and space for auxiliary stands, work tables or other machinery when establishing a location for your new machine. See **Figure 4** for the minimum working clearances.

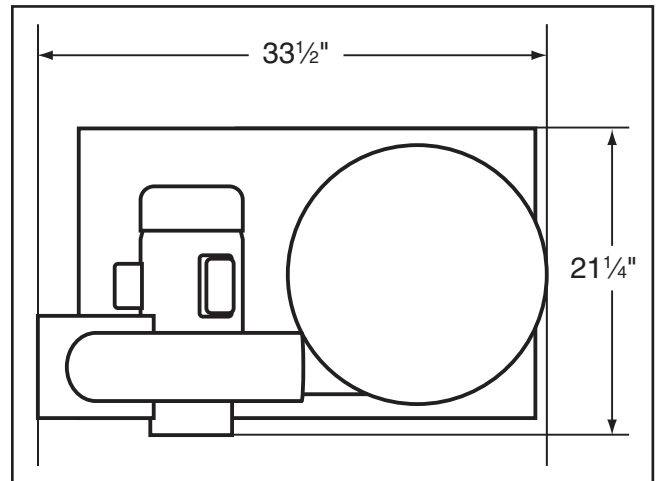
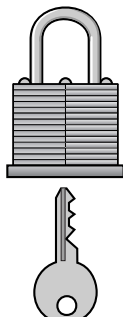


Figure 4. Minimum working clearances.

	! CAUTION Children and visitors may be seriously injured if unsupervised around this machine. Lock entrances to the shop or disable start switch or power connection to prevent unsupervised use.
--	---



Assembly

To assemble your machine:

1. Position the base plate upside down and mount the casters to the base plate using (16) $\frac{5}{16}$ "-18 x $\frac{1}{2}$ " flange bolts, as shown in **Figure 5**.

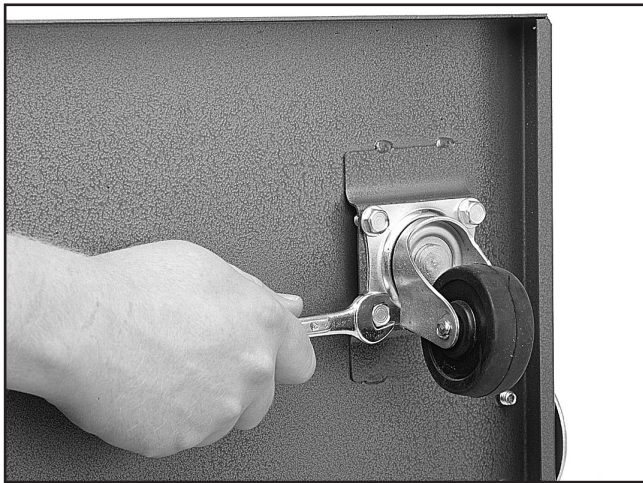


Figure 5. Mounting casters to base.

2. Set the collector body on top of the base plate so the intake portion is near the edge of the base plate and the bolt holes are aligned, as shown in **Figure 6**. Secure the collector body to the base plate with (4) $\frac{5}{16}$ "-18 x $\frac{1}{2}$ " flange bolts.

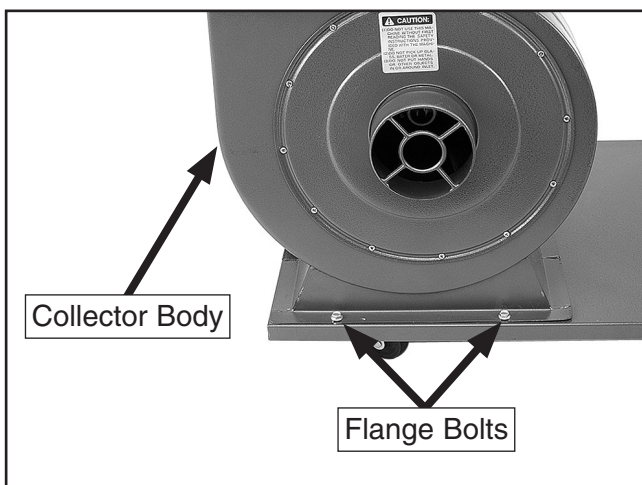


Figure 6. Mounting collector to base.

3. Insert the rubber gasket between the collector and lower outlet flange, and secure using (8) $\frac{5}{16}$ "-18 x $\frac{1}{2}$ " flange bolts, as shown in **Figure 7**.

Note: When connecting parts that have a gasket applied to the mounting surface, always tighten the fasteners in a diagonal and rotational manner to ensure the gasket does not become crimped and the seal compromised.

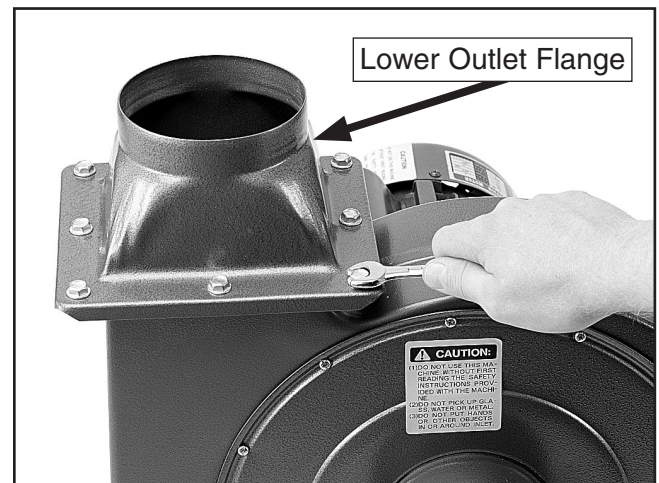


Figure 7. Mounting outlet to collector body.

4. Attach the lower collector support brackets to the top edge of the base plate using (4) $\frac{5}{16}$ "-18 x $\frac{1}{2}$ " flange bolts, as shown in **Figure 8**.

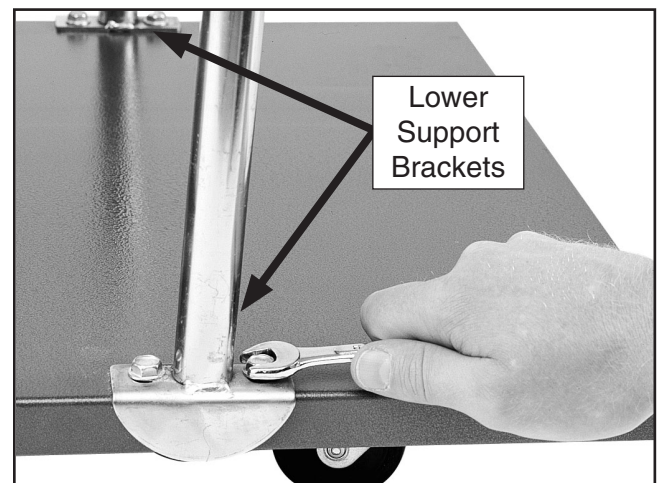


Figure 8. Mounting support bracket to base.



5. Secure the front lower support bracket to the collector with (2) $\frac{5}{16}$ "-18 x $\frac{1}{2}$ " flange bolts.
6. Place the upper support bracket over the lower support bracket, and secure with (2) $\frac{5}{16}$ "-18 x $\frac{1}{2}$ " flange bolts, as shown in **Figure 9**.

Note: The collector attaches to each support bracket. The inside of the collector is funnel shaped and directs the air around in a cyclone motion. Make sure that the inside taper (funnel) is faced downward and the collector inlet faces toward the collector body.

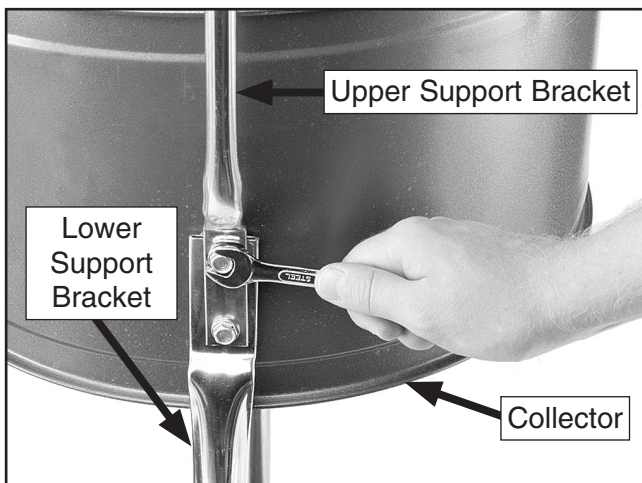


Figure 9. Mounting collector to brackets.

7. Slip a loosened hose clamp over each end of the flex-hose, and attach the ends over the collector and collector body outlet. Tighten each hose clamp until snug, as shown in **Figure 10**.

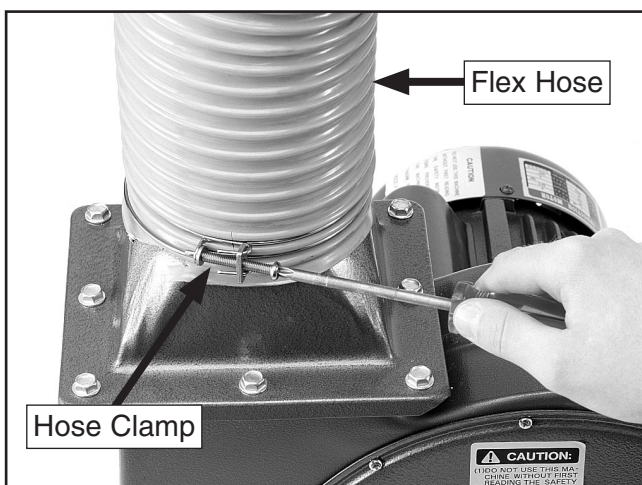


Figure 10. Attaching flex hose onto collector body outlet.

8. Hook the top loop of the upper filter bag (fabric) over the support bracket, as shown in **Figure 11**.



Figure 11. Attaching upper filter bag.

9. Tighten the upper bag to the collector using the clamp shown in **Figure 12**.

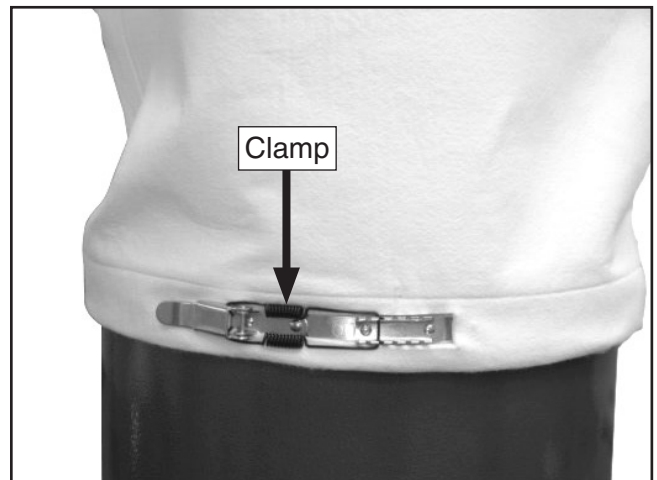


Figure 12. Upper collection bag secured.



10. Slip the bottom plastic collection bag over the bottom edge of the collector and tighten the clamp on the tightest notch possible.

Note: *DO NOT force the clamp, choose the next notch over, then clamp in place.*

11. Press the “Y” inlet onto the inlet cover flange, as shown in **Figure 13**. The inlet is secured to the collector body by a press-on fit.

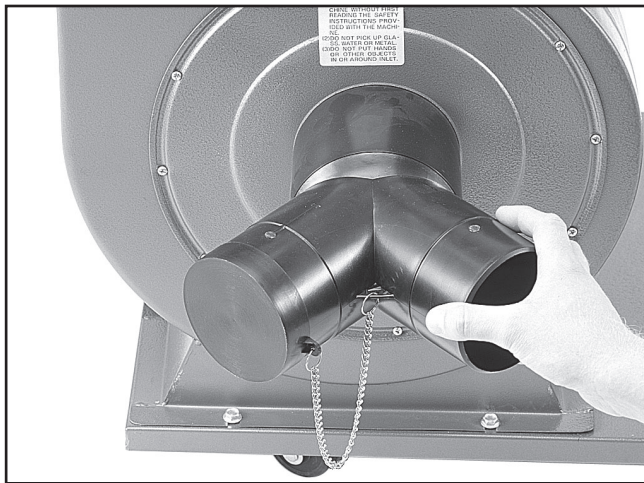
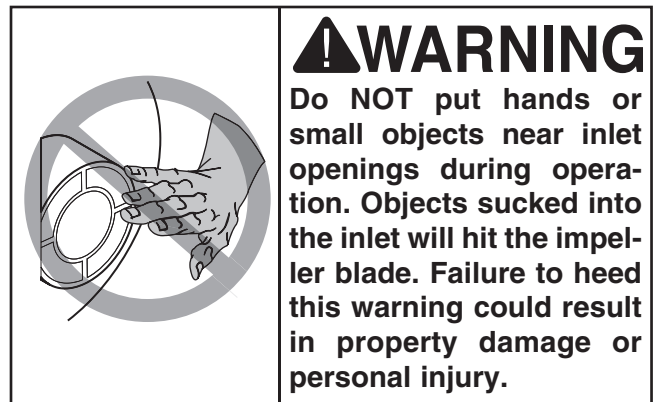


Figure 13. Installing “Y” inlet.

Test Run



⚠ WARNING
Do **NOT** put hands or small objects near inlet openings during operation. Objects sucked into the inlet will hit the impeller blade. Failure to heed this warning could result in property damage or personal injury.

Once the assembly is complete, test run your machine to make sure it runs properly.

If, during the test run, you cannot easily locate the source of an unusual noise or vibration, stop using the machine immediately, then review the **Troubleshooting** on **Page 29**.

If you still cannot remedy a problem, contact our Tech Support at (570) 546-9663 for assistance.

To test run the machine:

1. Make sure you have read the safety instructions at the beginning of the manual and that the machine is setup properly.
2. Make sure all tools and objects used during setup are cleared away from the machine..
3. Connect the machine to the power source.
4. Turn the machine **ON**.
5. Listen to and watch for abnormal noises or actions. The machine should run smoothly with little or no vibration or rubbing noises.

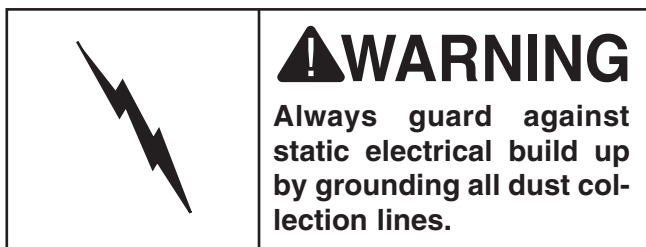
—Strange or unusual noises should be investigated and corrected before operating the machine further. Always disconnect the machine from power when investigating or correcting potential problems.

6. Turn the machine **OFF**.



SECTION 4: DESIGNING THE SYSTEM

General



The Model G1028Z/G1029Z can be operated as either a stationary or a mobile unit. There are advantages and disadvantages to both set-ups. The advantage of the mobile system is eliminating the cost of many ducts and fittings. On the other hand, the stationary system is more versatile and convenient.

If using the Model G1028Z/G1029Z as a central dust collector system, put the dust collector in an out of the way location such as a corner or separate room. The dust collector is capable of collecting dust from up to two machines running simultaneously. Grizzly offers a complete line of dust collection accessories for setting up a stationary system. Additionally, Grizzly offers a complete guide book entitled *Dust Collection Basics*.

Whatever system you choose, always make sure there are no open flames or pilot lights in the same room as the dust collector. There is a risk of explosion if dust is dispersed into the air.

Duct Material

You have many choices regarding main line and branch line duct material. For best results, use metal duct for the main line and branch lines, then use a short lengths of flexible hose to connect each machine to the branch lines.

Plastic duct is also a popular material for home shops. However, be aware that there is a fire or explosion hazard if plastic duct material is used for dust collection without being grounded against static electrical charge build-up. This topic will be discussed later in this section. Another problem with using plastic is that it is less efficient per foot than metal.

Metal Duct

Advantages of metal duct is its conductivity and that it does not contribute to static electrical charge build-up. However, static charges are still produced when dust particles strike other dust particles as they move through the duct. Since metal duct is a conductor, it can be grounded quite easily to dissipate any static electrical charges.

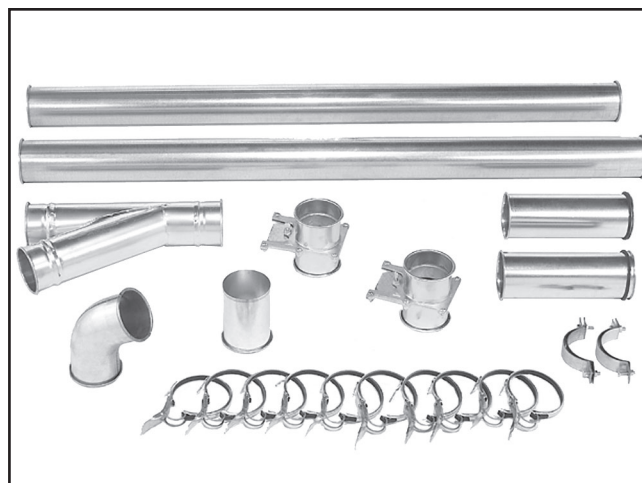


Figure 14. Examples of metal pipe and components.



There are a number of options when it comes to metal duct, but metal duct that is specially manufactured for dust collection is the best choice. When selecting your metal duct, choose high quality metal duct with smooth welded internal seams that will minimize airflow resistance. This type of duct usually connects to other ducts or elbows with a simple, self-sealing clamp, is very quick and easy to assemble, and can be readily dismantled and re-installed. This is especially important if you ever need to change things around in your shop or add more tools.

Avoid inferior metal duct that requires you to cut it to length and snap it together. This type of duct is time consuming to install because it requires you to seal all the seams with silicone and screw the components on the ends with sheet metal screws. Another disadvantage is the rough internal seams and crimped ends that unavoidably increase static pressure loss.

Flexible Duct

Flexible hose is generally used for short runs, small shops, and at rigid duct-to-tool connections. There are many different types of flex hose on the market today. These are manufactured from materials such as polyethylene, PVC, cloth hose dipped in rubber, and even metal, including steel and aluminum.

The superior choice for flexible ducting is metal flex hose that is designed to be flexible and as smooth as possible to reduce static pressure loss.

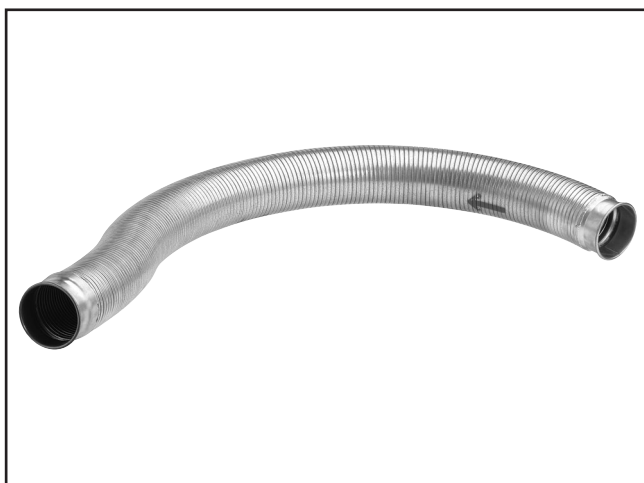


Figure 15. Example of flexible metal duct.

There are also many kinds of pure plastic flexible hose, such as non-perforated drainage type hose and dryer vent hose. Drainage type hose, while being economical, does not quite have the flexibility required for dust collection. The inside of the duct is also deeply corrugated and can increase the static pressure loss by as much as 50% over smooth wall duct. Dryer vent hose offers greater flexibility, but is non-resistant to abrasion and tends to collapse in a negative pressure system. We DO NOT recommend using dryer vent hose in your dust collection system.

If using flex-hose, choose one of the many types designed specifically for the movement of solid particles, i.e. dust, grains and plastics. However, the cost of specifically designed flexible duct can vary greatly. Grizzly offers polyethylene hose, which is well suited for the removal of particulate matter, especially sawdust, since it is durable and completely flexible. Polyethylene is also very economical and available in a wide variety of diameters and lengths for most applications.

Plastic Duct

The popularity of plastic duct is due to the fact that it is economical and readily available. It is also simple to assemble and easily sealed against air loss. The primary disadvantage of plastic duct for dust collection is the inherent danger of static electrical build-up.



Figure 16. Example of plastic duct and components.



System Design

Step 1. Decide Who Will Design

For most small-to-medium sized shops, you can design and build the dust collection system yourself without hiring engineers or consultants. We have included some basic information here to get you started on a basic design.

If you have a large shop or end up designing a complicated system, then we recommend additional research beyond this manual, or that you seek the help of an expert.

Step 2. Sketch Your Shop Layout

When designing a successful dust collection system, planning is the most important step. In this step, you must sketch a basic layout of your shop.

Before you get out your pencil and paper, we recommend you visit our **FREE Workshop Planner** available on our website at www.grizzly.com.

Our *Workshop Planner* will allow you to quickly and easily draw and print a basic shop layout. Don't worry, non-Grizzly brand machines can be substituted with Grizzly machines for layout purposes. **Note:** After you're finished, make sure to save your layout for later modification.

Your sketch only needs the basic details of the shop layout, similar to **Figure 17**, including all your current/planned machines and your planned placement of the dust collector.

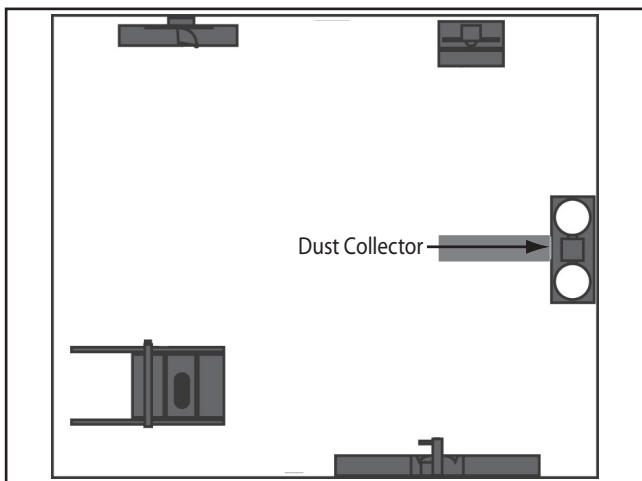


Figure 17. Flex-hose grounded to machine.

Step 3. Sketch a Basic Duct Layout

For the next step, sketch how you will connect your machines to the dust collector. Consider these general guidelines for an efficient system:

1. Machines that produce the most saw dust should be placed nearest to the dust collector (i.e. planers and sanders).
2. Ideally, you should design the duct system to have the shortest possible main line and secondary branch ducts. See **Figures 18 & 19** for ideas of good duct layouts vs bad duct layouts.

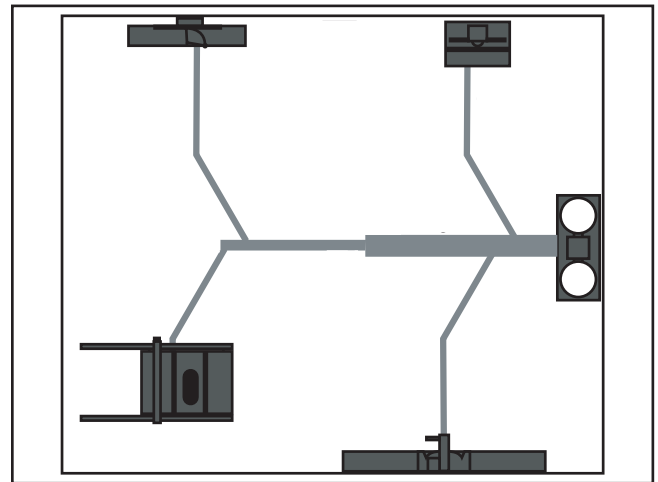


Figure 18. Good duct layout.

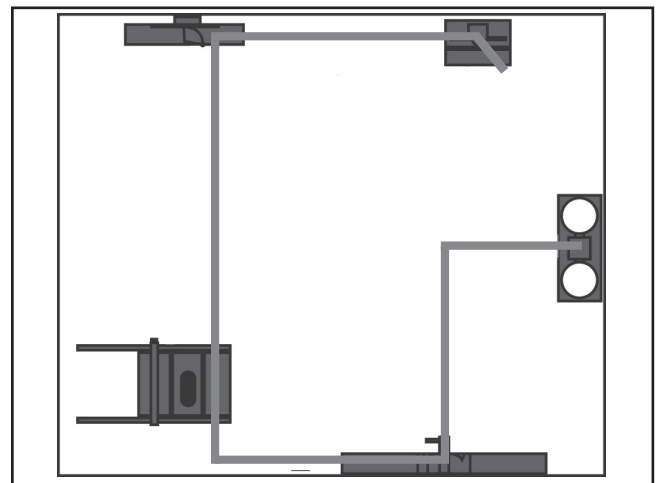


Figure 19. Bad duct layout.



3. Directional changes should be kept to a minimum. The more directional change fittings you use directly increases the overall resistance to airflow.
4. Gradual directional changes are more efficient than sudden directional changes (i.e. use the largest corner radius possible when changing hose or pipe direction).
5. Each individual branch line should have a blast gate immediately after the branch to control suction from one machine to another.
6. The simpler the system, the more efficient and less costly it will be.

Step 4. Determine Required CFM of Each Machine

Since each machine produces a different amount of sawdust, the requirements for the minimum amount of CFM to move that sawdust is unique to the machine (for example, a planer produces more sawdust than a table saw). Knowing this required CFM is important to gauging which size of duct to use.

Figure 20 gives you a close estimation of the airflow your machine requires. Keep in mind that machines that generate the most sawdust should be placed closest to the dust collector. If the machine has multiple dust ports, the total CFM required is the sum of all ports.

Machine Dust Port Size	Approximate Required CFM
2"	98
2.5"	150
3"	220
4"	395
5"	614
6"	884
7"	1203
8"	1570
9"	1990
10"	2456

Figure 20. Approximate required airflow for machines, based on dust port size.

If your machine doesn't have a built in dust port, use **Figure 21** to determine which size of dust port to install on your machine.

Machine	Average Dust Port Size
Table Saw	4"
Miter/Radial-Arm Saw	2"
Jointer (6" and smaller)	4"
Jointer (8"-12")	5"
Thickness Planer (13" and smaller)	4"
Thickness Planer (14"-20").....	6"
Shaper	4"
Router (mounted to table)	2"
Bandsaw.....	4"
Lathe.....	4"
Disc Sander (12" and smaller)	2"
Disc Sander (13-18").....	4"
Belt Sander (6" and smaller)	2"
Belt Sander (7"-9")	3"
Edge Sander (6" x 80" and smaller).....	4"
Edge Sander (6" x 80" and larger)	5"
Drum Sander (24" and smaller)	2 x 4"
Drum Sander (24" and larger).....	4 x 4"
Widebelt Sander (18" and smaller)	5"
Widebelt Sander (24"-37" single head) ..	2 x 6"
Widebelt Sander (24" _51" double head) ..	.5 x 4"

Figure 21. Dust port size and quantity per average machine.

Write the required CFM for each machine on your sketch, as shown in **Figure 22**.

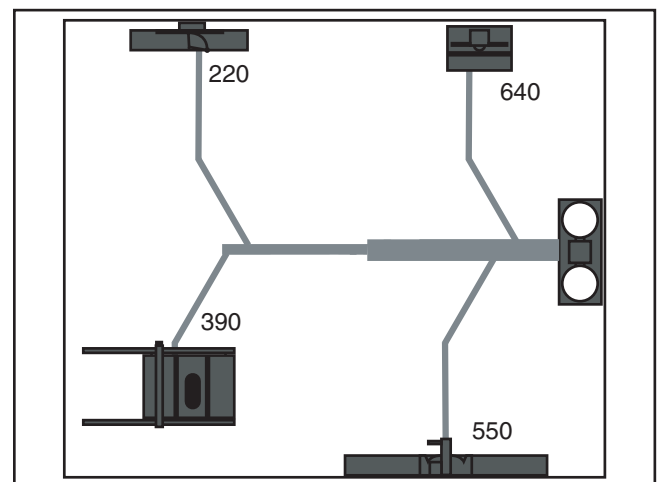


Figure 22. CFM requirements labeled for each machine.



Determining Main Line Duct Size

The general rule of thumb for a main line duct is that the velocity of the airflow must not fall below 3500 FPM.

For small/medium sized shops, using the inlet size of the dust collector as the main line duct size will usually keep the air velocity above 3500 FPM and, depending on your system, will allow you to keep multiple branches open at one time.

Mark your drawing as in **Figure 23**, but using the inlet size for your dust collector as the main line.

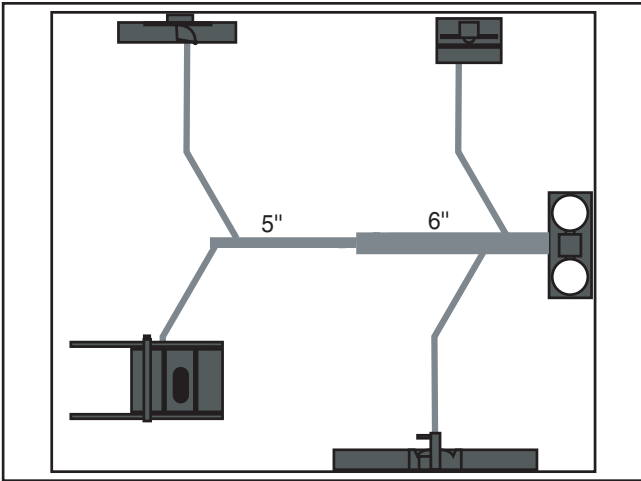


Figure 23. Main line size labeled on sketch.

Determining Branch Line Duct Size

The general rule of thumb for a branch line duct is that the velocity of the airflow must not fall below 4000 FPM.

For small/medium sized shops, using the dust port size from the machine as the branch line duct size will achieve the correct velocity in most applications. However, if the dust port on the machine is smaller than 4", make the branch line 4" and neck the line down right before the dust port.

Note: *Systems with powerful dust collectors work better if multiple blast gates are left open. This also allows you to run two machines at once. Experiment with different combinations of blast gates open/closed to find the best results for your system.*

Write your determined branch line sizes on your drawing, as shown in **Figure 24**.

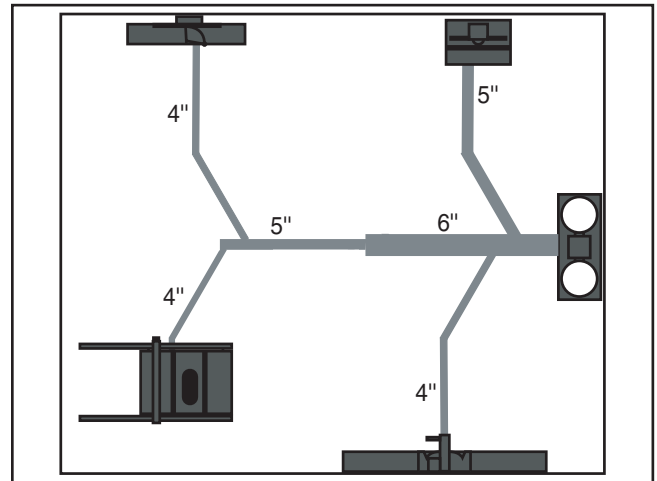


Figure 24. Branch line sizes labeled on sketch.

Here are some frequently asked questions when determining branch line sizes:

How do I figure which size of branch line to use if the machine has two dust ports?

Simply add the total CFM given for each size from **Figure 20** and refer to that CFM number to **Figure 25**. Then, split the branch line just before the dust ports with matching duct sizes.

What if two machines share the same branch line?

You have two options:

1. If both machines will be running at the same time, add the total CFM given for each size from **Figure 20** and match the branch line given in **Figure 25**.
2. If both the machines will never be run at the same time, reference the machine with biggest dust port to **Figure 25** and add blast gates after the Y-branch to open/close the line to each machine.

Total CFM	Branch Line Size
400	4"
500	4"
600	5"
700	5"
800	6"
900	6"
1000	6"

Figure 25. Branch line sizing chart by total CFM (for use when multiple machines share line).



Calculating Duct Resistance

Adding duct work, elbows, branches and any other components to a duct line increases airflow resistance (static pressure loss). This resistance can be minimized by using rigid (smooth) pipe and gradual curves, as opposed to flexible pipe and 90° elbows.

To help you think about this resistance, imagine riding a bicycle in a tunnel that is an exact replica of your duct work. If the inside of the tunnel is very bumpy (flexible pipe) and has a lot of sharp turns (90° elbows), it will take a lot more effort to travel from one end to the other.

The purpose of calculating the resistance is to determine if it is low enough from the machine to the dust collector to meet the given CFM requirement for the machine. Use the charts in **Figure 26** to calculate the resistance of duct work.

Duct Dia.	Approximate Static Pressure Loss Per Foot of Rigid Pipe		Approximate Static Pressure Loss Per Foot of Flex Pipe	
	Main Lines at 3500 FPM	Branch Lines at 4000 FPM	Main Lines at 3500 FPM	Branch Lines at 4000 FPM
2"	.091	.122	.35	.453
2.5"	.08	.107	.306	.397
3"	.071	.094	.271	.352
4"	.057	.075	.215	.28
5"	.046	.059	.172	.225
6"	.037	.047	.136	.18
7"	.029	.036	.106	.141
8"	.023	.027	.08	.108
9"	.017	.019	.057	.079

Fitting Dia.	90° Elbow	45° Elbow	45° Wye(Y)	90° Wye(Y)
3"	.47	.235	.282	.188
4"	.45	.225	.375	.225
5"	.531	.266	.354	.236
6"	.564	.282	.329	.235
7"	.468	.234	.324	.216
8"	.405	.203	.297	.189

Figure 26. Static pressure loss charts.

In most small/medium shops it is only necessary to calculate the line with the longest duct length or the most fittings (operating under the assumption that if the line with the highest resistance works, the others will be fine).

To calculate the static pressure of any given line in the system, follow these steps:

1. Make a list of each size duct in the line, including the length, and multiply those numbers by the static pressure value given in **Figure 26**.
2. List each type of elbow or branch and multiply the quantity (if more than one) by the static pressure loss given in **Figure 26**.
3. Add the additional factors from **Figure 27** to your list.

Additional Factors	Static Pressure
Seasoned (well used) Dust Collection Filter	1"
Entry Loss at Large Machine Hood	2"

Figure 27. Additional factors affecting static pressure.

4. Total your list as shown in the example in **Figure 28** to come up with your overall static pressure loss number for that line.

Note: Always account for a seasoned filter, so you don't end up with a system that only works right when the filter is clean.

Main Line	
6" Rigid Pipe (.037) at 20'740
Branch Line	
4" Rigid Pipe (.075) at 10'750
4" Flex Pipe (.28) at 5' 1.400
Elbows/Branches	
6" 45° Y-Branch329
4" 45° Elbow225
Additional Factors	
Seasoned Filter 1.000
Total Static Pressure 4.444

Figure 28. Totaling static pressure numbers.



Note: When calculating static pressure loss to determine if multiple lines can be left open at the same time, only include the main line numbers once.

5. Compare the total static pressure loss for that line to the maximum static pressure loss found on the data sheet for your machine (located toward the front of this manual).

—If the CFM for your static pressure loss is above the requirement of the machine, then the line will most likely be successful. Congratulations! You've just designed your own dust system. Refer to **Page 26** to start buying the components necessary to make your system a reality.

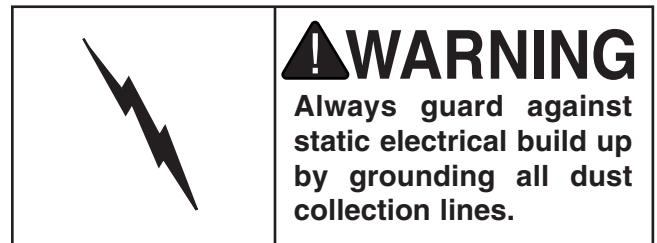
—If the CFM for your static pressure loss is below the requirement of the machine, then that line will not effectively collect the dust. You must then modify some of the factors in that line to reduce the static pressure loss. Some of the ways to do this include 1) installing larger duct, 2) reducing amount of flexible duct used, 3) increasing machine dust port size, 4) moving machine closer to dust collector to eliminate duct length, and 5) reducing 90° elbows or replacing them with 45° elbows.

System Grounding

Since plastic hose is abundant, relatively inexpensive, easily assembled and air tight, it is a very popular material for conveying dust from woodworking machines to the dust collector. We recommend using flexible hose (flex-hose) to connect the woodworking machine to the dust collector. However, plastic flex-hose and plastic duct are an insulator, and dust particles moving against the walls of the plastic duct create a static electrical build up. This charge will build until it discharges to a ground. If a grounding medium is not available to prevent static electrical build up, the electrical charge will arc to the nearest grounded source. This electrical discharge may cause an explosion and subsequent fire inside the system.

To protect against static electrical build up inside a non-conducting duct, a bare copper wire should be placed inside the duct along its length and grounded to the dust collector. You must also confirm that the dust collector is continuously grounded through the electrical circuit to the electric service panel.

If you connect the dust collector to more than one machine by way of a non-conducting branching duct system and blast gates, the system must still be grounded as mentioned above. We recommend inserting a continuous bare copper ground wire inside the entire duct system and attaching the wire to each grounded woodworking machine and dust collector.



Be sure that you extend the bare copper wire down all branches of the system. Do not forget to connect the wires to each other with wire nuts when two branches meet at a “Y” or “T” connection.

Ensure that the entire system is grounded. If using plastic blast gates to direct air flow, the grounding wire must be jumped (**Figure 29**) around the blast gate without interruption to the grounding system.

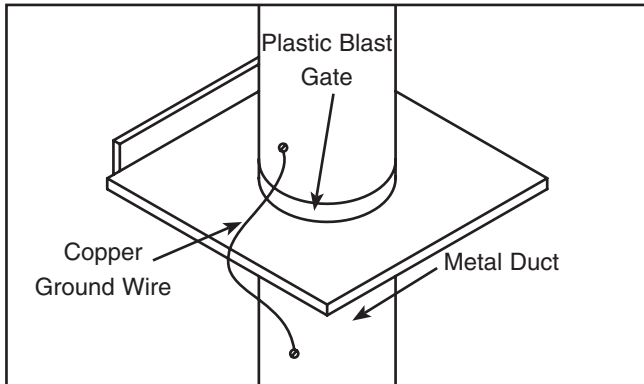


Figure 29. Ground jumper wire when using plastic blast gates and metal duct.

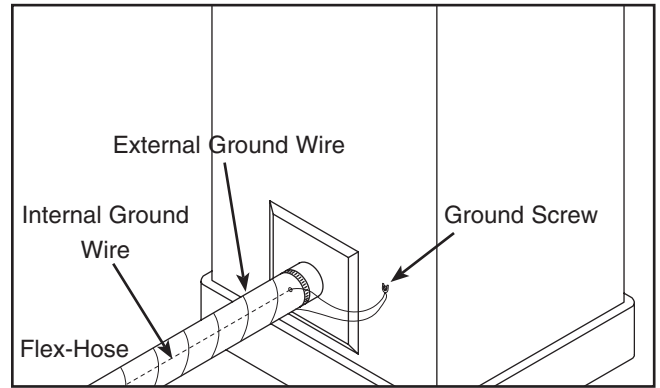


Figure 30. Flex-hose grounded to machine.

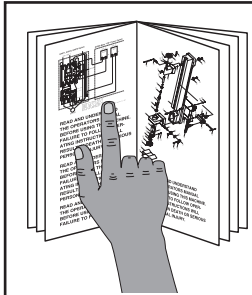
We also recommend wrapping the outside of all plastic ducts with bare copper wire to ground the outside of the system against static electrical build up. Wire connections at Y’s and T’s should be made with wire nuts.

Attach the bare ground wire to each stationary woodworking machine and attach to the dust collector frame with a ground screw as shown in **Figure 30**. Ensure that each machine is continuously grounded to the grounding terminal in your electric service panel.



SECTION 5: OPERATIONS

Operation Safety

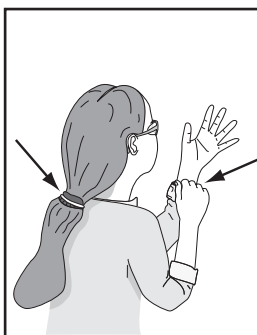


⚠️ WARNING

To reduce the risk of serious injury when using this machine, read and understand this entire manual before beginning any operations.

⚠️ WARNING

Damage to your eyes and lungs could result from using this machine without proper protective gear. Always wear safety glasses and a respirator when operating this machine.

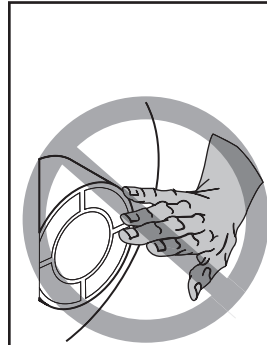


⚠️ WARNING

Loose hair, clothing, or jewelry could get caught in machinery and cause serious personal injury. Keep these items away from moving parts at all times to reduce this risk.

NOTICE

If you have never used this type of machine or equipment before, WE STRONGLY RECOMMEND that you read books, trade magazines, or get formal training before beginning any projects. Regardless of the content in this section, Grizzly Industrial will not be held liable for accidents caused by lack of training.



⚠️ WARNING

Do NOT put hands or small objects near inlet openings during operation. Objects sucked into the inlet will meet with the impeller blade. Failure to heed this warning could result in property damage or personal injury.

General

Operating your Model G1028Z/G1029Z is simple and straightforward. Blast gates can be used at the start of each branch line to control the air flow from the woodworking machine to the dust collector. If a machine is not being used, keep the blast gate closed to maintain higher levels of efficiency throughout the system.



SECTION 6: ACCESSORIES

T20514—Small Half-Mask Respirator
T20515—Medium Half-Mask Respirator
T20516—Large Half-Mask Respirator
T20511—Pre-Filter P100
T20539—Cartridge Filter 2PK P100
T20541—Cartridge Filter 2PK P100 & O Vapor
 Wood and other types of dust can cause severe respiratory damage. If you work around dust every-day, a half-mask respirator can greatly reduce your risk. Compatible with safety glasses!

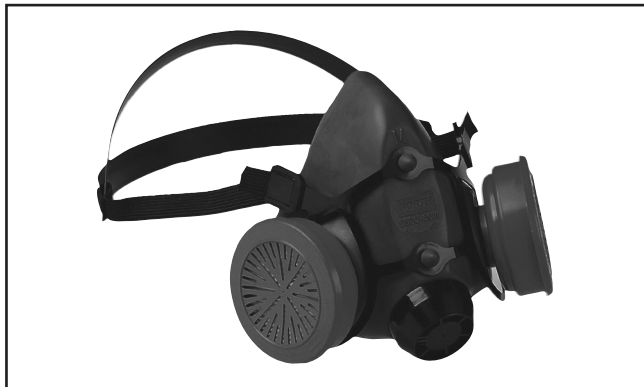


Figure 31. Half-mask respirator with disposable cartridge filters.

H5293—4" Metal Duct Starter Kit
H5295—5" Metal Duct Starter Kit
H5297—6" Metal Duct Starter Kit
 Save over 20% with this great starter kit. Includes: (2) machine adapters, (10) pipe clamps, (3) 5' straight pipes, (1) branch, (3) pipe hangers, (1) end cap, (3) adjustable nipples, (1) 90° elbow, and (1) 60° elbow.

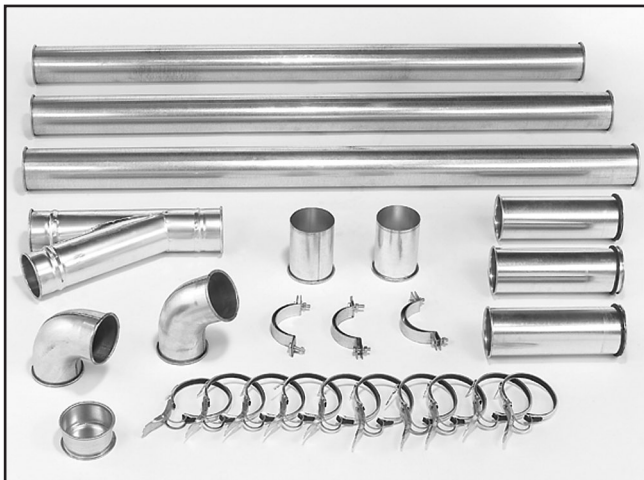


Figure 32. Metal Duct Starter Kit.

H5294—4" Metal Duct Machine Addition Kit
H5296—5" Metal Duct Machine Addition Kit
H5298—6" Metal Duct Machine Addition Kit
 Save over 20% with this great machine addition kit. Includes: (2) blast gates, (1) machine adapter, (10) pipe clamps, (2) pipe hangers, (2) 5' straight pipes, (2) adjustable nipples, (1) branch, and (1) 60° elbow.

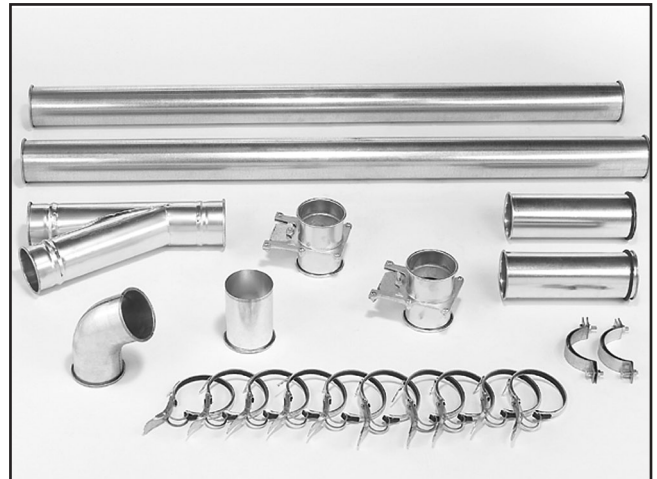


Figure 33. Metal Duct Machine Addition Kit.

G6163—4" Clamp
G7343—5" Clamp
G7361—6" Clamp
H5228—7" Clamp
H5238—8" Clamp
H5253—9" Clamp

These clamps feature lever latches and foam seals, and secure around the rolled ends of fittings and pipe.



Figure 34. Dust collection pipe clamps.



- G6162—4" x 5' Straight Metal Pipe**
- G7346—5" x 5' Straight Metal Pipe**
- G7364—6" x 5' Straight Metal Pipe**
- H5227—7" x 5' Straight Metal Pipe**
- H5237—8" x 5' Straight Metal Pipe**

These laser welded straight pipes ensure a super smooth internal seam. Ends easily clamp together for a sealed fit without screws or silicone.



Figure 35. Straight Metal Pipe.

- H7215—4" x 5' Rigid Metal Flex Hose**
- H7216—5" x 5' Rigid Metal Flex Hose**
- H7217—6" x 5' Rigid Metal Flex Hose**
- H7218—7" x 5' Rigid Metal Flex Hose**
- H7219—8" x 5' Rigid Metal Flex Hose**

This flex hose provides just enough flexibility to make difficult connections while still keeping the inside wall as smooth as possible to minimize static pressure loss.

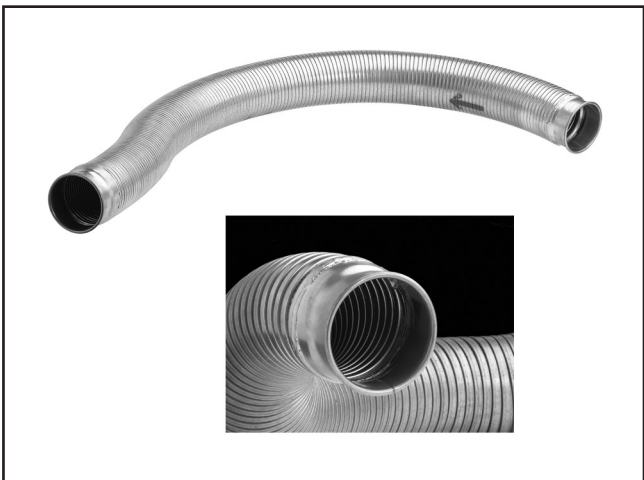


Figure 36. Rigid Metal Flex Hose.

Call 1-800-523-4777 To Order

G1028Z/G1029Z Dust Collector



Metal Branches

We carry many different branches, all designed to minimize airflow resistance.

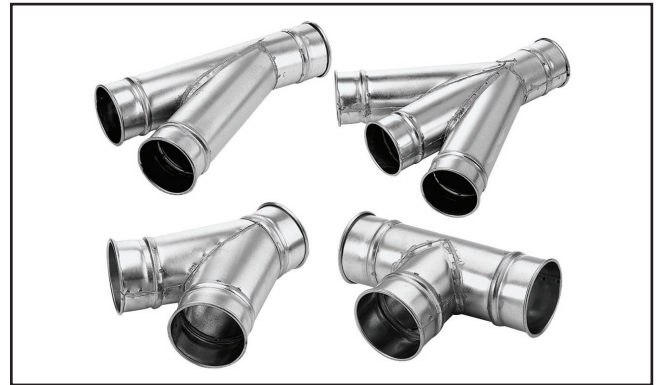


Figure 37. Metal Branches.

Reducers & Adapters

We carry a multitude of reducers and elbows to cover most applications from 4" through 9".



Figure 38. Metal Reducers & Adapters.

Metal Elbows

These industrial metal elbows are available from 4"–8" with 90°, 60°, 45°, or 30° curves. Call (800) 523-4777 or visit www.grizzly.com for more information and pricing.

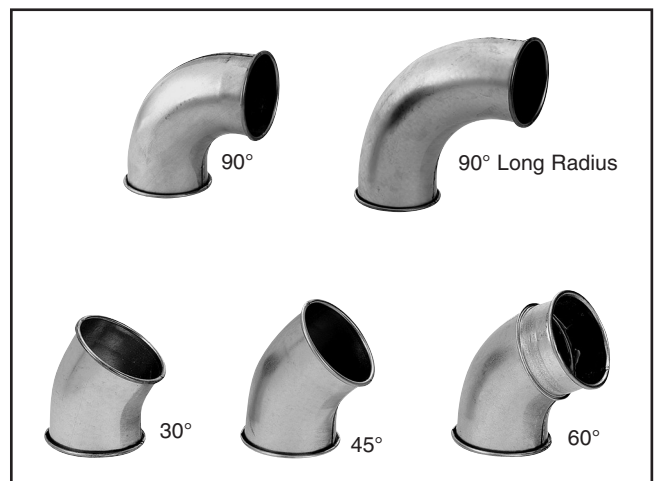


Figure 39. Metal elbow examples.

SECTION 7: MAINTENANCE



Schedule

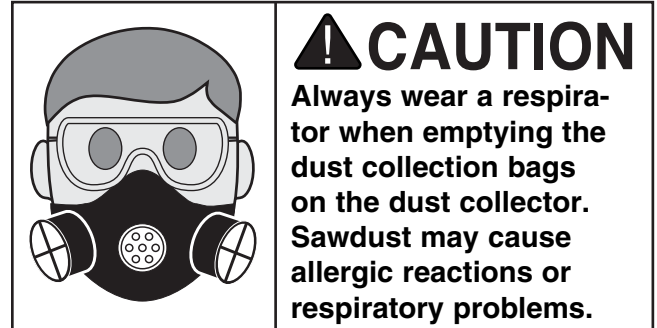
For optimum performance from your machine, follow this maintenance schedule and refer to any specific instructions given in this section.

Daily Check:

- Loose mounting bolts.
- Worn switch.
- Worn or damaged wires.
- Almost full collection bag.
- Any other unsafe condition.

Lubrication

Since all bearings are shielded and permanently lubricated, simply leave them alone until they need to be replaced. Do not lubricate them.



Bag Cleaning

Always empty the collection bags on a regular basis. Emptying the collection bags allows the machine to operate at a much higher level of efficiency.

Always wear the appropriate respirator or dust mask and safety glasses when emptying the collection bags. Small dust particles can escape the bags during emptying, causing them to become airborne and easily inhaled. This microscopic airborne dust is extremely unhealthy to breathe and can cause serious health problems.

While the Model G1028Z/G1029Z excels at collecting the majority of wood dust produced by your machines, it is not an air filter; therefore, **we strongly recommend** the supplemental aid of a shop air filter such as the Grizzly G5955 or G9956. Air filters are designed to collect the smaller dust particles that a dust collector bags cannot trap.

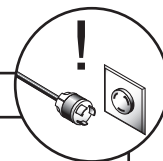


SECTION 8: SERVICE

Review the troubleshooting and procedures in this section to fix or adjust your machine if a problem develops. If you need replacement parts or you are unsure of your repair skills, then feel free to call our Technical Support at (570) 546-9663.

Troubleshooting

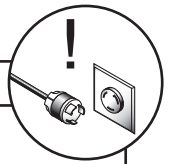
Motor & Electrical



Symptom	Possible Cause	Possible Solution
Machine does not start or a breaker trips.	<ol style="list-style-type: none"> 1. Fuse has blown. 2. Wall fuse/circuit breaker is blown/tripped. 3. Power supply switched OFF or is at fault. 4. Wiring is open/has high resistance. 5. Motor ON button or ON/OFF switch is at fault. 6. Motor is at fault. 	<ol style="list-style-type: none"> 1. Correct short/replace fuse in control box. 2. Ensure circuit size is suitable for this machine; replace weak breaker. 3. Ensure power supply is switched on; ensure power supply has the correct voltage. 4. Check for broken wires or disconnected/corroded connections, and repair/replace as necessary. 5. Replace faulty ON button or ON/OFF switch. 6. Test/repair/replace.
Machine has vibration or noisy operation.	<ol style="list-style-type: none"> 1. Motor or component is loose. 2. Motor mount loose/broken. 3. Machine is incorrectly mounted or sits unevenly. 4. Motor fan is rubbing on fan cover. 5. Motor bearings are at fault. 	<ol style="list-style-type: none"> 1. Inspect/replace stripped or damaged bolts/nuts, and re-tighten with thread locking fluid. 2. Tighten/replace. 3. Tighten/replace anchor studs in floor if mounted; chock machine casters if mobile. 4. Replace dented fan cover; replace loose/damaged fan. 5. Test by rotating shaft; rotational grinding/loose shaft requires bearing replacement.



Dust Collector Operation



Symptom	Possible Cause	Possible Solution
Loud, repetitious noise, or excessive vibration coming from dust collector.	<ol style="list-style-type: none"> 1. Dust collector is not on a flat surface and wobbles. 2. Impeller is damaged and unbalanced. 3. The motor mounting or housing connections are loose. 4. Impeller is loose on the motor shaft. 5. Motor fan cover is dented, causing the motor fan to hit the cover while spinning. 	<ol style="list-style-type: none"> 1. Stabilize the dust collector. 2. Disconnect dust collector from power, and inspect the impeller for dents, bends, loose fins. Replace impeller if any damage is found. 3. Make sure all fasteners on the dust collector are tight. 4. Replace the motor and impeller as a set if the motor shaft and the impeller hub are damaged. 5. Replace motor fan cover.
Dust collector does not adequately collect dust or chips; poor performance.	<ol style="list-style-type: none"> 1. Dust collection bags are full. 2. Filter is dirty. 3. There is a restriction in the duct line. 4. The dust collector is too far away from the point of suction, or there are too many sharp bends in the ducting. 5. The lumber is wet and dust is not flowing through the ducting smoothly. 6. There is a leak in the ducting, or a series of small leaks, or too many open ports. 7. There are not enough open branch lines at one time, thereby causing a velocity drop in the main line. 8. The ducting and ports are incorrectly sized. 9. The machine dust collection design is inadequate. 10. The dust collector is too small for the dust collection system. 	<ol style="list-style-type: none"> 1. Empty collection bags. 2. Clean filter. 3. Remove dust line from dust collector inlet and unblock the restriction in the duct line. A plumbing snake may be necessary. 4. Relocate the dust collector closer to the point of suction, and rework ducting without sharp bends. Refer to System Design, beginning on Page 19. 5. Process lumber with less than 20% moisture content. 6. Rework the ducting to eliminate all leaks. Close dust ports for lines not being used. 7. Open 1 or 2 more blast gates to different branch lines to allow the velocity in the main line to increase. 8. Reinstall correctly sized ducts and fittings. Refer to System Design beginning on Page 19 for more solutions. 9. Use a dust collection nozzle on a stand. 10. Install a larger dust collector to power your dust collection system.
Sawdust being blown into the air from the dust collector.	<ol style="list-style-type: none"> 1. Duct clamps or dust collection bags are not properly clamped and secured. 2. Bag clamps are loose or damaged. 	<ol style="list-style-type: none"> 1. Re-secure ducts and dust collection bag, making sure duct and bag clamps are tight and completely over the ducts and bags. 2. Retighten bag clamps.



G1028Z Wiring Diagram



Figure 40. Start Capacitor.
110 Volt Motor



View this page in color at www.grizzly.com.

NOTICE
The motor wiring shown here is current at the time of printing, but it may not match your machine. Always use the wiring diagram inside the motor junction box.

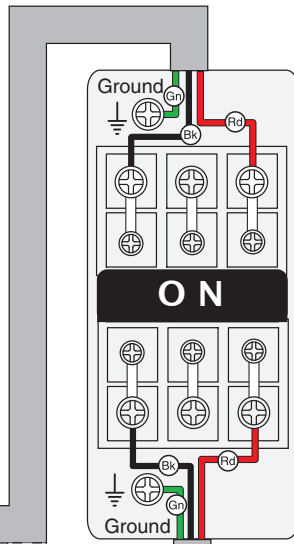
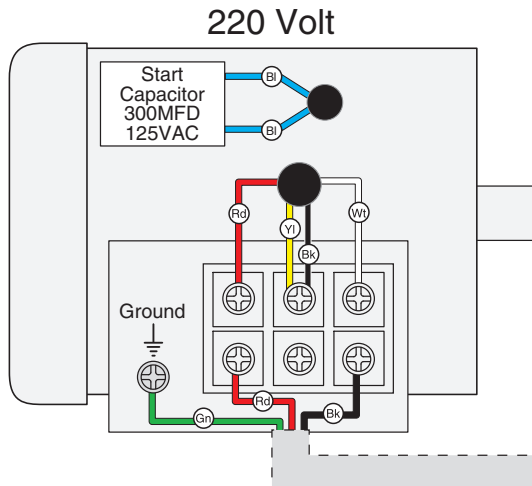
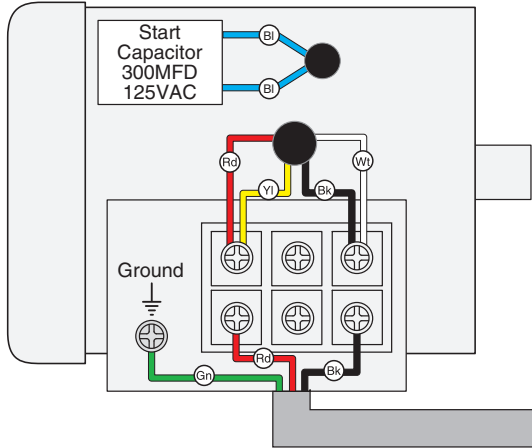
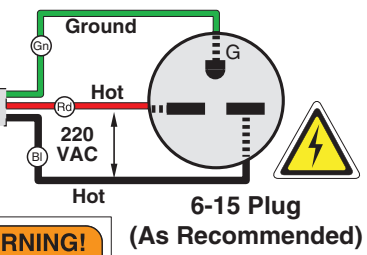
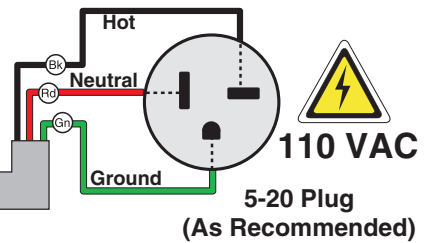


Figure 41. Switch.



WARNING!
SHOCK HAZARD!
Disconnect power before working on wiring.

COLOR KEY

BLACK	— Bk —
WHITE	— Wh —
GREEN	— Gn —
RED	— Rd —
YELLOW	— Yl —
BLUE	— Bl —

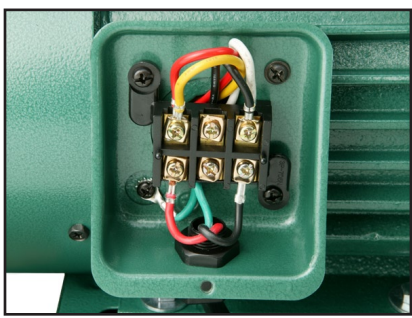


Figure 42. 110V Junction Box.



Figure 43. 220V Junction Box.



G1029Z Wiring Diagram



Figure 44. Start Capacitor.



COLOR KEY	
BLACK	
WHITE	
GREEN	
RED	
YELLOW	
BLUE	

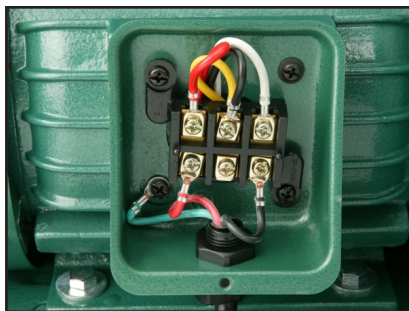
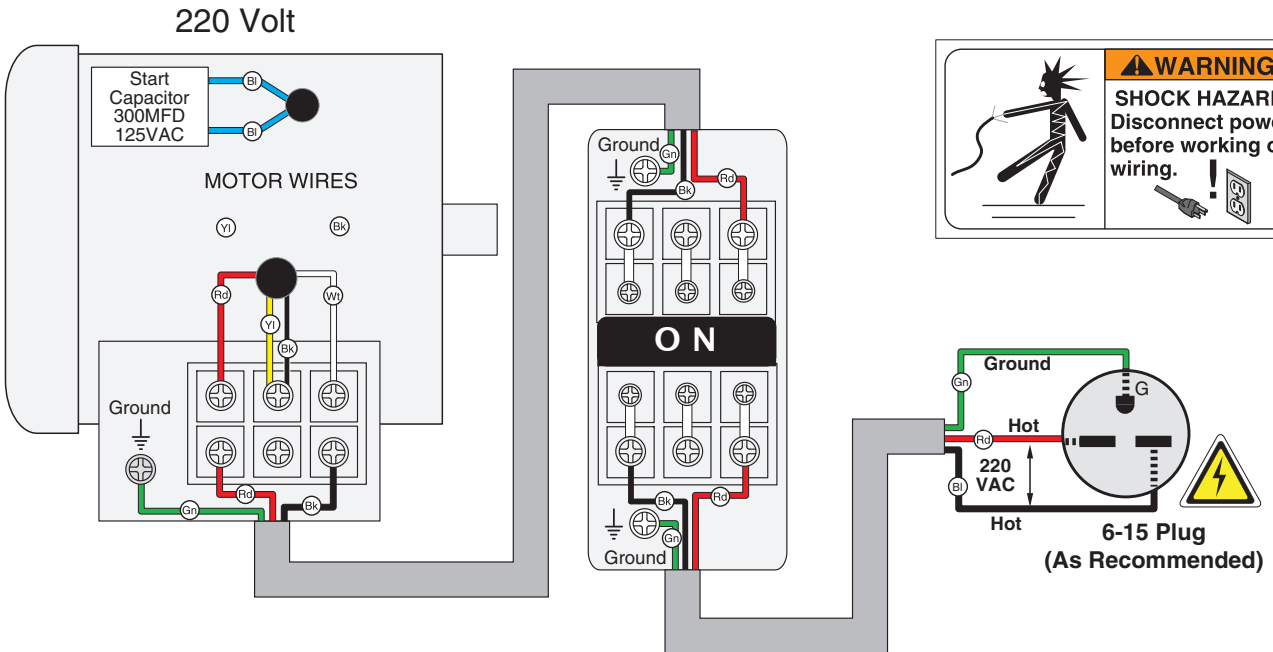


Figure 45. Junction Box.



Figure 46. Switch.

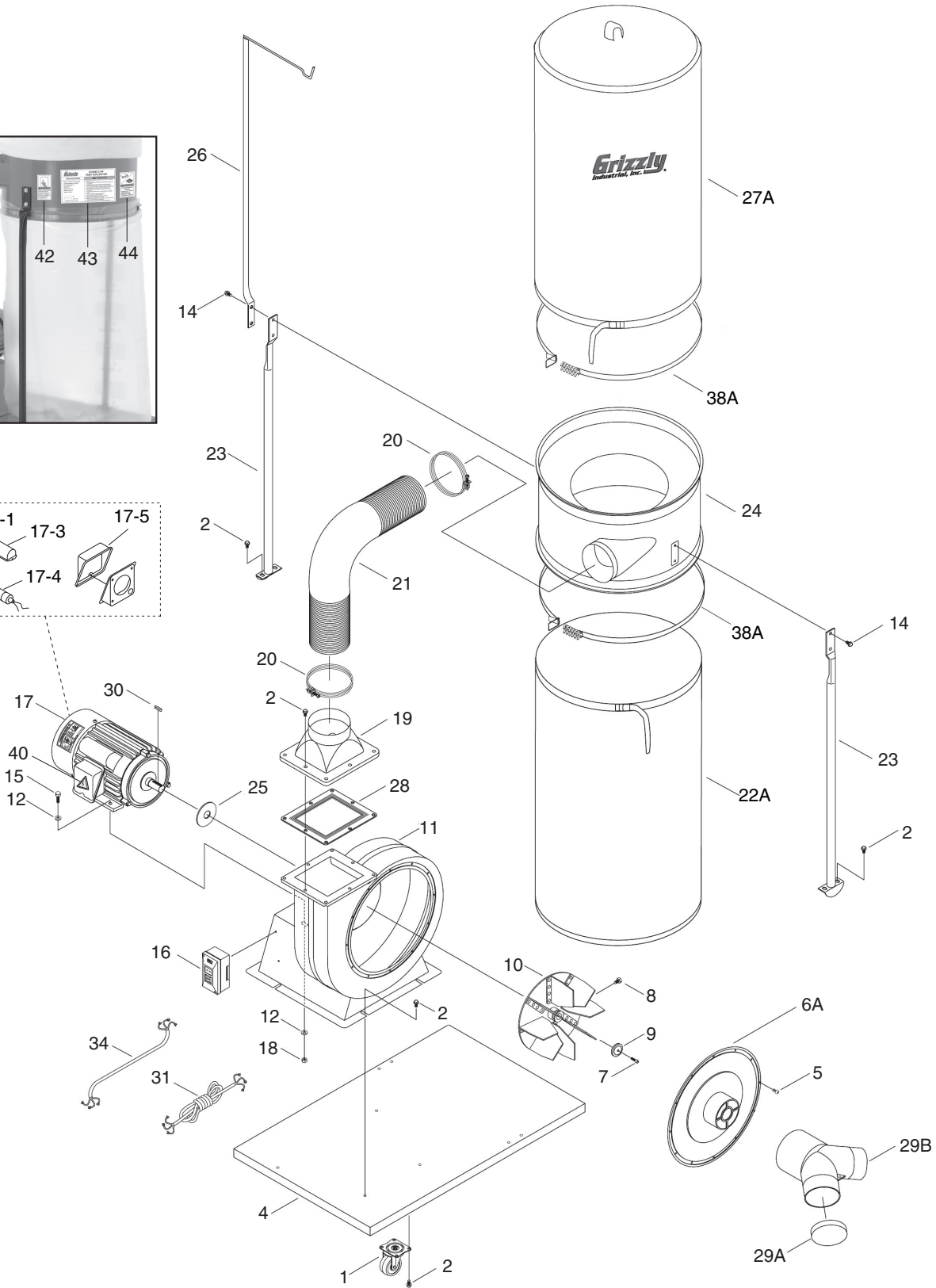
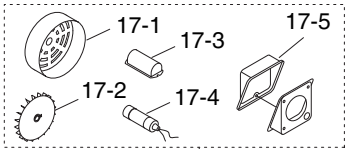
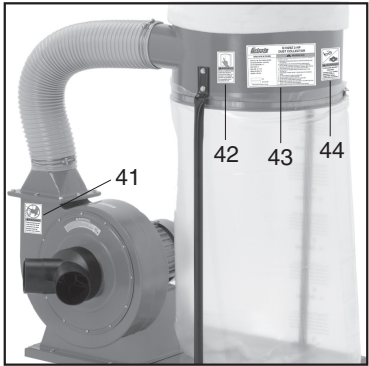
NOTICE

The motor wiring shown here is current at the time of printing, but it may not match your machine. Always use the wiring diagram inside the motor junction box.

View this page in color at www.grizzly.com.



G1028Z/G1029Z Parts Breakdown



G1028Z Parts List

REF PART #	DESCRIPTION	
1	P1028001	CASTER
2	PFB01	FLANGE BOLT 5/16-18 X 1/2
4	P1028004	BASE PLATE
5	PS06	PHLP HD SCR 10-24 X 3/8
6A	P1029006A	6" INLET COVER V2.10.01
7	PSB121M	CAP SCREW M6-1 X 20 (LH)
8	PB09	HEX BOLT 5/16-18 X 1/2
9	P1028009	SPECIAL WASHER
10	P1028Z010	11" IMPELLER
11	P1028011	COLLECTOR BODY
12	PW07	FLAT WASHER 5/16
14	PFB01	FLANGE BOLT 5/16-18 X 1/2
15	PB03	HEX BOLT 5/16-18 X 1
16	PSW04	PUSH BUTTON SWITCH
17	P1028Z017	MOTOR 1-1/2HP 110/220V 1PH
17-1	P1028Z017-1	MOTOR FAN COVER
17-2	P1028Z017-2	MOTOR FAN
17-3	P1028Z017-3	CAPACITOR COVER
17-4	P1028Z017-4	S CAPACITOR 300M 125V 1-3/4 X 3-3/8
17-5	P1028Z017-5	JUNCTION BOX
18	PN02	HEX NUT 5/16-18

REF PART #	DESCRIPTION	
19	P1028019	OUTLET
20	P1028020	HOSE CLAMP
21	P1028021	HOSE
22A	H6899	LOWER BAG V2.1.08
23	P1028023	COLLECTOR SUPPORT
24	P1028024	COLLECTOR
25	P1028025	PACKING (G1028Z)
26	P1028026	UPPER BAG SUPPORT
27A	G5556	UPPER BAG V2. 1.08
28	P1028028	GASKET
29A	P1029029A	INLET CAP 6"
29B	P1029029B	6"x4"x4" Y-INLET V2.10.01
30	PK32M	KEY 6 X 6 X 28
31	PWRCRD220S	POWER CORD
34	PWRCRD220L	MOTOR CORD
38A	G3707	CLAMP V2. 1.08
40	P1028Z040	ELECTRICITY LABEL
41	P1028Z041	HANDS/OUTLET LABEL
42	P1028Z042	READ MANUAL LABEL
43	P1028Z043	MACHINE ID LABEL
44	P1028Z044	EYE/LUNG LABEL

G1029Z Parts List

REF PART #	DESCRIPTION	
1	P1028001	CASTER
2	PFB01	FLANGE BOLT 5/16-18 X 1/2
4	P1028004	BASE PLATE
5	PS06	PHLP HD SCR 10-24 X 3/8
6A	P1029006A	6" INLET COVER V2.10.01
7	PSB121M	CAP SCREW M6-1 X 20 (LH)
8	PB09	HEX BOLT 5/16-18 X 1/2
9	P1028009	SPECIAL WASHER
10	P1029010	12" IMPELLER
11	P1028011	COLLECTOR BODY
12	PW07	FLAT WASHER 5/16
14	PFB01	FLANGE BOLT 5/16-18 X 1/2
15	PB03	HEX BOLT 5/16-18 X 1
16	PSW04	PUSH BUTTON SWITCH
17	P1029017	MOTOR 2 HP 220V 1PH
17-1	P1028Z017-1	MOTOR FAN COVER
17-2	P1028Z017-2	MOTOR FAN
17-3	P1028Z017-3	CAPACITOR COVER
17-4	P1028Z017-4	S CAPACITOR 300M 125V 1-3/4 X 3-3/8
17-5	P1028Z017-5	JUNCTION BOX
18	PN02	HEX NUT 5/16-18

REF PART #	DESCRIPTION	
19	P1028019	OUTLET
20	P1028020	HOSE CLAMP
21	P1028021	HOSE
22A	H6899	LOWER BAG V2.1.08
23	P1028023	COLLECTOR SUPPORT
24	P1028024	COLLECTOR
25	P1029025	PACKING
26	P1028026	UPPER BAG SUPPORT
27A	G5556	UPPER BAG V2. 1.08
28	P1028028	GASKET
29A	P1029029A	INLET CAP 6"
29B	P1029029B	6"x4"x4" Y-INLET V2.10.01
30	PK28M	KEY 7 X 7 X 29
31	PWRCRD220S	POWER CORD
34	PWRCRD220L	MOTOR CORD
38A	G3707	CLAMP V2. 1.08
40	P1029Z040	ELECTRICITY LABEL
41	P1029Z041	HANDS/OUTLET LABEL
42	P1029Z042	READ MANUAL LABEL
43	P1029Z043	MACHINE ID LABEL
44	P1029Z044	EYE/LUNG LABEL



WARRANTY CARD

Name _____

Street _____

City _____ State _____ Zip _____

Phone # _____ Email _____ Invoice # _____

Model # _____ Order # _____ Serial # _____

The following information is given on a voluntary basis. It will be used for marketing purposes to help us develop better products and services. **Of course, all information is strictly confidential.**

1. How did you learn about us?

- Advertisement
- Card Deck
- Friend
- Website
- Catalog
- Other:

2. Which of the following magazines do you subscribe to?

- | | | |
|---|--|---|
| <input type="checkbox"/> Cabinet Maker | <input type="checkbox"/> Popular Mechanics | <input type="checkbox"/> Today's Homeowner |
| <input type="checkbox"/> Family Handyman | <input type="checkbox"/> Popular Science | <input type="checkbox"/> Wood |
| <input type="checkbox"/> Hand Loader | <input type="checkbox"/> Popular Woodworking | <input type="checkbox"/> Wooden Boat |
| <input type="checkbox"/> Handy | <input type="checkbox"/> Practical Homeowner | <input type="checkbox"/> Woodshop News |
| <input type="checkbox"/> Home Shop Machinist | <input type="checkbox"/> Precision Shooter | <input type="checkbox"/> Woodsmith |
| <input type="checkbox"/> Journal of Light Cont. | <input type="checkbox"/> Projects in Metal | <input type="checkbox"/> Woodwork |
| <input type="checkbox"/> Live Steam | <input type="checkbox"/> RC Modeler | <input type="checkbox"/> Woodworker West |
| <input type="checkbox"/> Model Airplane News | <input type="checkbox"/> Rifle | <input type="checkbox"/> Woodworker's Journal |
| <input type="checkbox"/> Modeltec | <input type="checkbox"/> Shop Notes | <input type="checkbox"/> Other: |
| <input type="checkbox"/> Old House Journal | <input type="checkbox"/> Shotgun News | |

3. What is your annual household income?

- \$20,000-\$29,000
- \$30,000-\$39,000
- \$40,000-\$49,000
- \$50,000-\$59,000
- \$60,000-\$69,000
- \$70,000+

4. What is your age group?

- 20-29
- 30-39
- 40-49
- 50-59
- 60-69
- 70+

5. How long have you been a woodworker/metalworker?

- 0-2 Years
- 2-8 Years
- 8-20 Years
- 20+ Years

6. How many of your machines or tools are Grizzly?

- 0-2
- 3-5
- 6-9
- 10+

7. Do you think your machine represents a good value? Yes No

8. Would you recommend Grizzly Industrial to a friend? Yes No

9. Would you allow us to use your name as a reference for Grizzly customers in your area?
Note: We never use names more than 3 times. Yes No

10. Comments: _____

CUT ALONG DOTTED LINE

FOLD ALONG DOTTED LINE



Place Stamp Here



GRIZZLY INDUSTRIAL, INC.
P.O. BOX 2069
BELLINGHAM, WA 98227-2069



FOLD ALONG DOTTED LINE

Send a Grizzly Catalog to a friend:

Name _____
Street _____
City _____ State _____ Zip _____

TAPE ALONG EDGES--PLEASE DO NOT STAPLE

WARRANTY AND RETURNS

Grizzly Industrial, Inc. warrants every product it sells for a period of **1 year** to the original purchaser from the date of purchase. This warranty does not apply to defects due directly or indirectly to misuse, abuse, negligence, accidents, repairs or alterations or lack of maintenance. This is Grizzly's sole written warranty and any and all warranties that may be implied by law, including any merchantability or fitness, for any particular purpose, are hereby limited to the duration of this written warranty. We do not warrant or represent that the merchandise complies with the provisions of any law or acts unless the manufacturer so warrants. In no event shall Grizzly's liability under this warranty exceed the purchase price paid for the product and any legal actions brought against Grizzly shall be tried in the State of Washington, County of Whatcom.

We shall in no event be liable for death, injuries to persons or property or for incidental, contingent, special, or consequential damages arising from the use of our products.

To take advantage of this warranty, contact us by mail or phone and give us all the details. We will then issue you a "Return Number," which must be clearly posted on the outside as well as the inside of the carton. We will not accept any item back without this number. Proof of purchase must accompany the merchandise.

The manufacturers reserve the right to change specifications at any time because they constantly strive to achieve better quality equipment. We make every effort to ensure that our products meet high quality and durability standards and we hope you never need to use this warranty.

Please feel free to write or call us if you have any questions about the machine or the manual.

Thank you again for your business and continued support. We hope to serve you again soon.

grizzly.com

TOOL WEBSITE

Buy Direct and Save with Grizzly® – Trusted, Proven and a Great Value!

*Visit Our Website Today And Discover
Why Grizzly® Is The Industry Leader!*

- SECURE ORDERING
- ORDERS SHIPPED WITHIN 24 HOURS
- E-MAIL RESPONSE WITHIN ONE HOUR

-OR-

Call Today For A **FREE**
Full Color Catalog

1-800-523-4777

